

MATERIAL: PER B/M  
 DRAWN: TFK  
 CHECKED: DEP  
 SCALE: NONE  
 DATE: 9-15-95



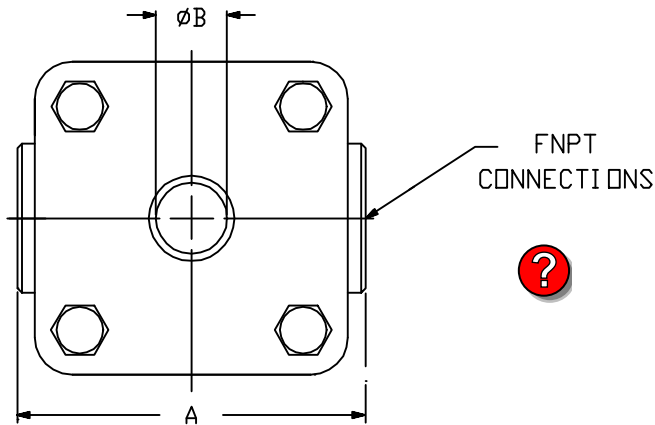
SIGHT FLOW INDICATOR  
 S-100HP-600, S-200HP-600,  
 S-300HP-600, S-400HP-600

Section: T400  
 Bulletin: T400.17  
 Date: 12/01/90  
 Supersedes: 11/10/98

600 PSIG MODELS

FILE NO: T400-17.DWG

THIS DRAWING AND ALL INFORMATION ON IT IS THE PROPERTY OF JACOBY-TARBOX, DIVISION OF THE CLARK-RELIANCE CORPORATION. IT IS CONFIDENTIAL AND IS GIVEN TO YOU FOR A LIMITED PURPOSE AND MUST BE RETURNED UPON REQUEST. NEITHER THIS DRAWING NOR ANY PART OF IT NOR ANY INFORMATION CONCERNING IT MAY BE COPIED, EXHIBITED OR FURNISHED TO OTHERS NOR MAY PHOTOGRAPHS BE TAKEN OF ANY ARTICLE FABRICATED OR ASSEMBLED FROM THIS DRAWING WITHOUT CONSENT OF THE CLARK-RELIANCE CORPORATION.



PARTS LIST				
PIECE NO.	NAME OF PART	QUAN.	MATERIAL	COMMENTS
1	BODY	1	SEE BELOW	
2	RETAINER	2	STEEL	
3	CUSHION	2	FIBER	
4	SEAL GASKET	2		
5	WINDOW	2	BOROSILICATE	
6	BOLT	4	STEEL	
7	NUT	4	STEEL	
8	INDICATOR	1		

PLAIN

STYLE S-100HP(NF)-600

INDICATOR OPTIONS

STANDARD DESIGN MATERIALS:

BODY: ASTM A-216 WCB (CARBON STEEL)

ASTM A-351 CF8M (316 SS)

RETAINER: ASTM A-516 GR70/A-216 (STEEL)

FASTENERS: SAE GR.5 (STEEL)

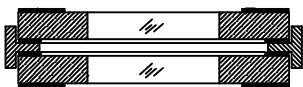
INDICATOR: 316 SS FLAP&DRIP, PTFE FLUTTER

304/316 SS TRIM AVAILABLE

OPTIONAL ALLOYS FURNISHED UPON REQUEST

WINDOW OPTIONS

DUAL UNIGLAS WINDOWS

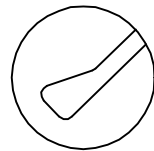
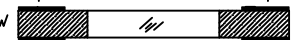


FULL VIEW DUAL WINDOWS

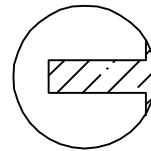


Factory Mutual System Approved

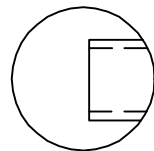
UNIGLAS WINDOW



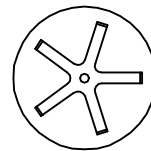
FLAPPER  
 STYLE S-100HP-600



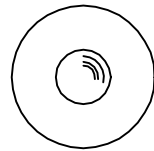
PTFE FLUTTER  
 STYLE S-100HP-FLTR-600



DRIP TUBE  
 STYLE S-200HP-600

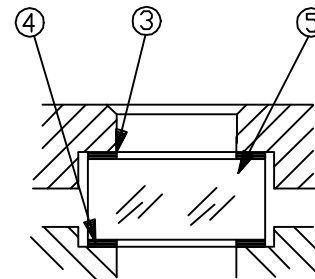


PTFE ROTOR  
 STYLE S-300HP-600



\* BALL  
 STYLE S-400HP-600

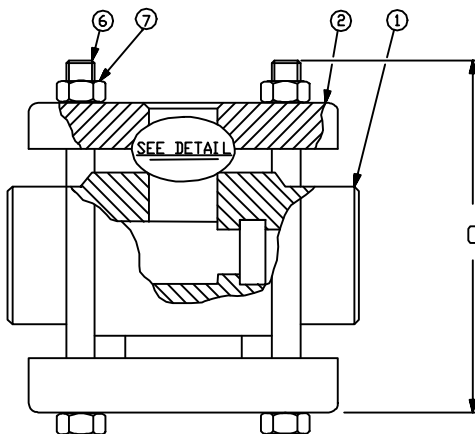
\* S-400HP-600 HAS ONLY ONE WINDOW



TYPICAL DETAIL

600# UNITS

TEMP F	P/T RATINGS	
	600 PSIG MODELS	
	STEEL	316 SS
-20 TO 100	600	600
150	600	600
200	600	600
250	600	600
300	600	600
350	600	600
400	600	600
450	600	600
500	600	600



PIPE SIZE	DIMENSIONS						APPROX. WGT.	
	A		B		C		LBS.	KGS.
	IN.	mm	IN.	mm	IN.	mm		
1/2&3/4	4-1/2	114	1	25	4-3/4	121	6	2.7
1	4-7/8	114	1-1/4	32	4-13/16	122	8	3.6
1-1/4	6	152	1-1/2	38	5	127	15	6.8
1-1/2	6	152	1-1/2	38	5	127	15	6.8
2	7-1/4	184	2	51	5-1/2	140	35	15.8