

MATERIAL: PER B/M
 DRAWN: TFK CHECKED: DEP
 SCALE: NONE DATE: 9-15-95

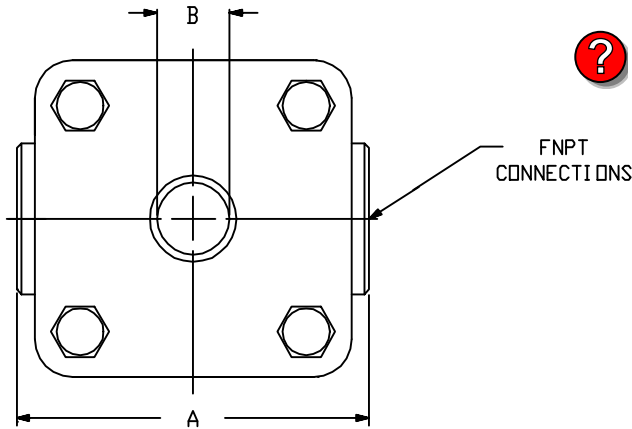


SIGHT FLOW INDICATOR
 S-100HP-2000, S-200HP-2000,
 S-300HP-2000, S-400HP-2000

Section: T400
 Bulletin: T400.19
 Date: 12/01/00
 Supersedes: 11/20/98

2000 PSIG MODELS

FILE NO.: T400-19.DWG



PARTS LIST				
PIECE NO.	NAME OF PART	QUAN.	MATERIAL	COMMENTS
1	BODY	1	SEE BELOW	
2	RETAINER	2	STEEL	
3	CUSHION	2	FIBER	
4	SEAL GASKET	2		
5	WINDOW	2	BOROSILICATE	
6	BOLT	4	STEEL	
7	NUT	4	STEEL	
8	INDICATOR	1		
10	WINDOW HOLDER	2	STEEL	

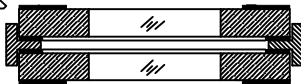
THIS DRAWING AND ALL INFORMATION ON IT IS THE PROPERTY OF JACOBY-TARBOX, DIVISION OF THE CLARK-RELIANCE CORPORATION. IT IS CONFIDENTIAL AND IS GIVEN TO YOU FOR A LIMITED PURPOSE AND MUST BE RETURNED UPON REQUEST. NEITHER THIS DRAWING NOR ANY PART OF IT NOR ANY INFORMATION CONCERNING IT MAY BE COPIED, EXHIBITED OR FURNISHED TO OTHERS NOR MAY PHOTOGRAPHS BE TAKEN OF ANY ARTICLE FABRICATED OR ASSEMBLED FROM THIS DRAWING WITHOUT CONSENT OF THE CLARK-RELIANCE CORPORATION.

INDICATOR OPTIONS * S-400HP-2000 HAS ONLY ONE WINDOW

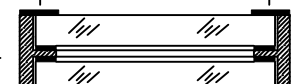
S-100HP(NF)-2000 PLAIN

WINDOW OPTIONS

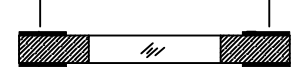
DUAL UNIGLAS WINDOWS



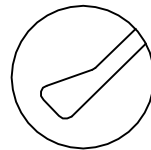
FULL VIEW DUAL WINDOWS



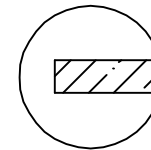
UNIGLAS WINDOW



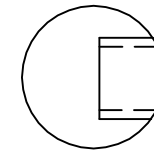
Factory Mutual System Approved



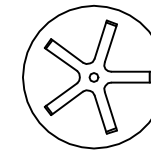
FLAPPER
S-100HP-2000



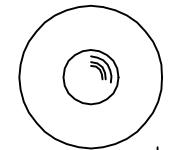
PTFE FLUTTER
S-100HP-FLTR-2000



DRIP TUBE
S-200HP-2000



PTFE ROTOR
S-300HP-2000



BALL *
S-400HP-2000

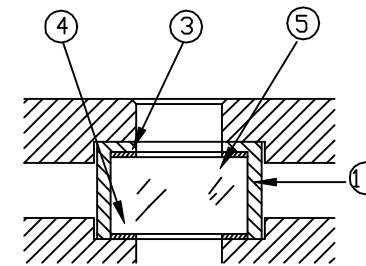
STANDARD DESIGN MATERIALS:

BODY: ASTM A-216 WCB (CARBON STEEL)
 ASTM A-351 CF8M (316 SS)

RETAINER: ASTM A-516 GR.70 (STEEL)
 FASTENERS: A193-B7 / A194-2H
 INDICATOR: 316 SS FLAP&DRIP
 : PTFE FLUTTER

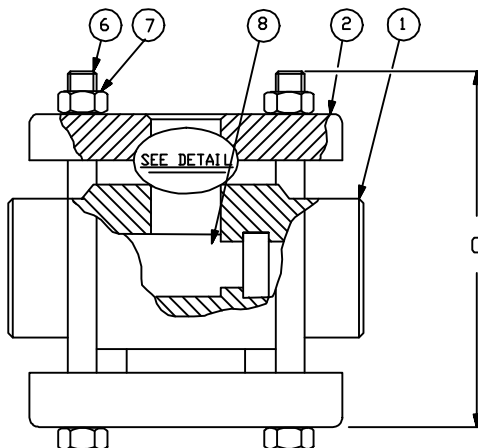
304/316 SS TRIM AVAILABLE

OPTIONAL ALLOYS FURNISHED UPON REQUEST



TYPICAL DETAIL
 2000# UNITS

P/T RATINGS			
TEMP F	2000 PSIG		
	STEEL	316 SS	
-20 TO 100	2000	2000	
150	2000	2000	
200	2000	2000	
250	2000	2000	
300	2000	2000	
350	2000	2000	
400	2000	2000	
450	2000	2000	
500	2000	2000	



PIPE SIZE	DIMENSIONS						APPROX. WGT.	
	A		B		C		LBS.	KGS.
	IN.	mm	IN.	mm	IN.	mm		
1/2&3/4	4-1/2	114	1	25	6	152	6	2.7
1	4-7/8	121	1-1/4	32	6	152	8	3.6
1-1/4	6	152	1-1/2	38	8-1/2	216	15	6.8
1-1/2	6	152	1-1/2	38	8-1/2	216	15	6.8
2	7-1/4	184	2	51	9-1/2	241	35	15.8