

MATERIAL: SEE B/M
 DRAWN: TFK
 SCALE: NONE
 CHECKED: DEP
 DATE: 9/15/95



SIGHT FLOW INDICATOR
 STYLE 805-S, 805-SD

Section: T400
 Bulletin: T400.37
 Date: 12/01/90
 Supersedes: 11/10/98

VARIOUS PRESSURES

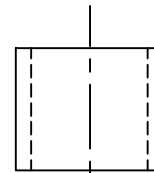
FILE NO.: T400-37.DWG

PARTS LIST

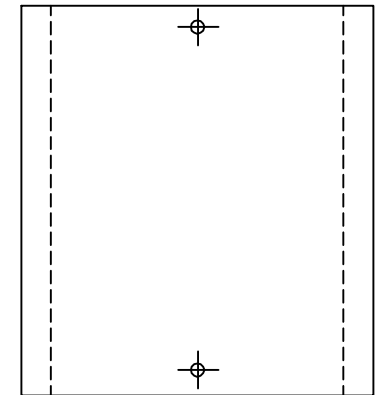
PIECE NO.	NAME OF PART	QUAN.	MATERIAL	COMMENTS
1	NUTS	6	STEEL	
2	HEAD	2	SEE BELOW	
3	SEAL GASKET	2		
4	CYLINDER	1	A-BORO	
5	RODS	3	STEEL	
6	NUTS	6	STEEL	
7	INDICATOR	1		

THIS DRAWING AND ALL INFORMATION ON IT IS THE PROPERTY OF JACOBY-TARBOX, DIVISION OF THE CLARK-RELIANCE CORPORATION. IT IS CONFIDENTIAL AND IS GIVEN TO YOU FOR A LIMITED PURPOSE AND MUST BE RETURNED UPON REQUEST. NEITHER THIS DRAWING NOR ANY PART OF IT NOR ANY INFORMATION CONCERNING IT MAY BE COPIED, EXHIBITED OR FURNISHED TO OTHERS NOR MAY PHOTOGRAPHS BE TAKEN OF ANY ARTICLE FABRICATED OR ASSEMBLED FROM THIS DRAWING WITHOUT CONSENT OF THE CLARK-RELIANCE CORPORATION.

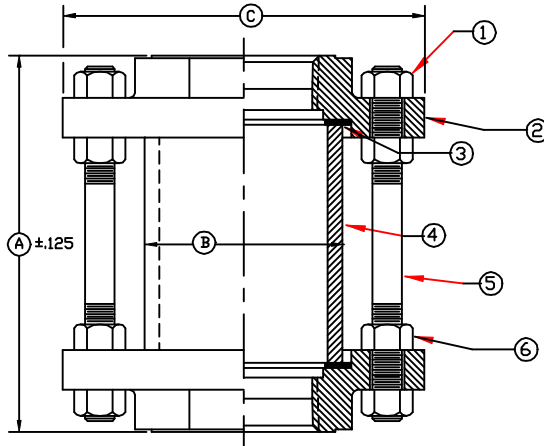
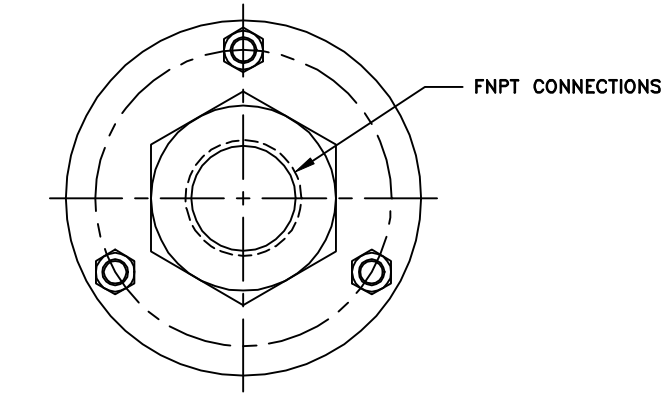
STANDARD OPTIONS:



⑦ DRIP TUBE
 STYLE 805-SD



ACRYLIC SHIELD
 AVAIL ALL STYLES



STYLE 805-S

PRESSURE/TEMP. RATINGS

TEMP F	ALL MATERIALS *		
	1/8 TO 1	1-1/4, 1-1/2	2
-20 TO 100	150	120	100
150	150	120	100
200	150	120	100
250	150	120	100
300	150	120	100
350	150	120	100
400	150	120	100
450	150	120	100

STANDARD DESIGN MATERIALS:

- HEAD: ASTM A-216 WCB/A515 GR 70/A36/A576 (CARBON STEEL)
- ASTM A-351 CF8M/A240/A276 (316 SS)
- ASTM B-62 (BRONZE)
- ASTM A-126 CLASS B (CAST IRON)

* BRONZE AND CAST IRON NOT RECOMMENDED FOR SERVICE ABOVE 400 F

- FASTENERS: STEEL
- DRIP TUBE: 316 SS
- OPTIONAL ALLOYS FURNISHED UPON REQUEST

- OPTIONAL FEATURES:
- SPECIAL LENGTHS UP TO 48 INCHES AVAILABLE ("A" DIM)
- PRESSURE RATINGS DECREASE WITH ADDITIONAL LENGTH
- MODEL: 850-SL
- SPECIAL ETCHED TUBES (VOLUME/LENGTH) PER APPLICATION
- 304/316 SS TRIM AVAILABLE

DIMENSIONS

PSI	SIZE		A		B		C		WEIGHT	
	IN	DN	IN	mm	IN	mm	IN	mm	LBS	KGS
150	1/8	15	4-1/2	114	1-3/4	44	3-3/4	95	2.0	.9
150	1/4	20	4-1/2	114	1-3/4	44	3-3/4	95	2.0	.9
150	3/8	25	4-1/2	114	1-3/4	44	3-3/4	95	2.0	.9
150	1/2	40	4-1/2	114	1-3/4	44	3-3/4	95	2.0	.9
150	3/4	50	4-1/2	114	1-3/4	44	3-3/4	95	2.0	.9
150	1	65	4-1/2	114	2	51	4-1/4	108	3.0	1.4
120	1-1/4	80	4-3/4	120	2-1/2	64	4-3/4	121	4.0	1.8
120	1-1/2	100	4-3/4	120	2-1/2	64	4-3/4	121	4.0	1.8
100	2	150	5-1/2	140	3	76	5-3/4	146	7.0	3.2