

MATERIAL: SEE B/M  
 DRAWN: TFK  
 SCALE: NONE  
 CHECKED: DEP  
 DATE: 9/15/95



SIGHT FLOW INDICATOR  
 850-S SERIES

Section: T400  
 Bulletin: T400.38  
 Date: 12/01/00  
 Supersedes: 11/10/98

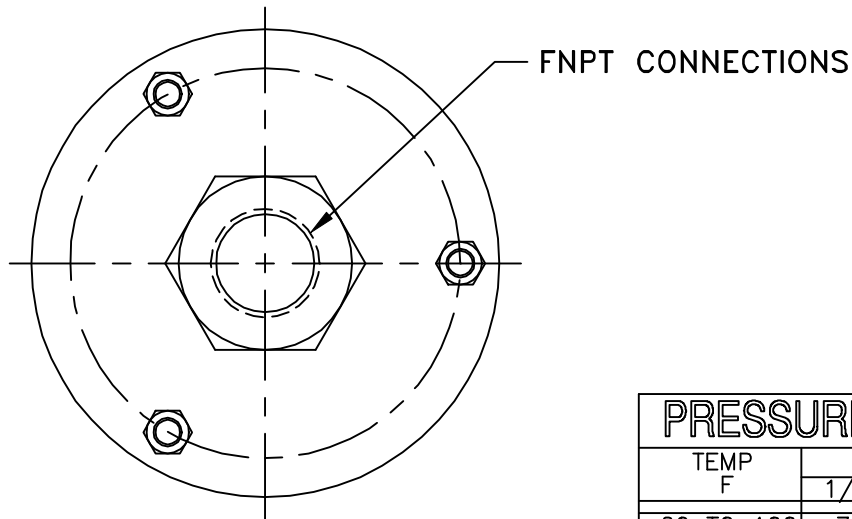
70 PSIG NOMINAL

FILE NO.: T400-38.DWG

PARTS LIST

PIECE NO.	NAME OF PART	QUAN.	MATERIAL	COMMENTS
1	NUTS	6	STEEL	
2	HEAD	2	SEE BELOW	
3	SEAL GASKET	2		
4	CYLINDER	1	A-BORO	
5	RODS	3	STEEL	
6	NUTS	6	STEEL	

THIS DRAWING AND ALL INFORMATION ON IT IS THE PROPERTY OF JACOBY-TARBOX, DIVISION OF THE CLARK-RELIANCE CORPORATION. IT IS CONFIDENTIAL AND IS GIVEN TO YOU FOR A LIMITED PURPOSE AND MUST BE RETURNED UPON REQUEST. NEITHER THIS DRAWING NOR ANY PART OF IT NOR ANY INFORMATION CONCERNING IT MAY BE COPIED, EXHIBITED OR FURNISHED TO OTHERS NOR MAY PHOTOGRAPHS BE TAKEN OF ANY ARTICLE FABRICATED OR ASSEMBLED FROM THIS DRAWING WITHOUT CONSENT OF THE CLARK-RELIANCE CORPORATION.



PRESSURE/TEMP. RATINGS

TEMP F	ALL MATERIALS *		
	1/8 TO 1	1-1/4, 1-1/2	2
-20 TO 100	70	70	70
150	70	70	70
200	70	70	70
250	70	70	70
300	70	70	70
350	70	70	70
400	70	70	70
450	70	70	70

\* BRONZE AND CAST IRON NOT RECOMMENDED FOR SERVICE ABOVE 400 F

STANDARD DESIGN MATERIALS:

HEAD: ASTM A-216 WCB/A516 GR70/A36/A576 (CARBON STEEL)

ASTM A-351 CF8M/A240/A276 (316 SS)

ASTM B-62 (BRONZE)

ASTM A-126 CLASS B (CAST IRON)

FASTENERS: STEEL

DRIP TUBE: NOT AVAILABLE

OPTIONAL ALLOYS FURNISHED UPON REQUEST

OPTIONAL FEATURES:

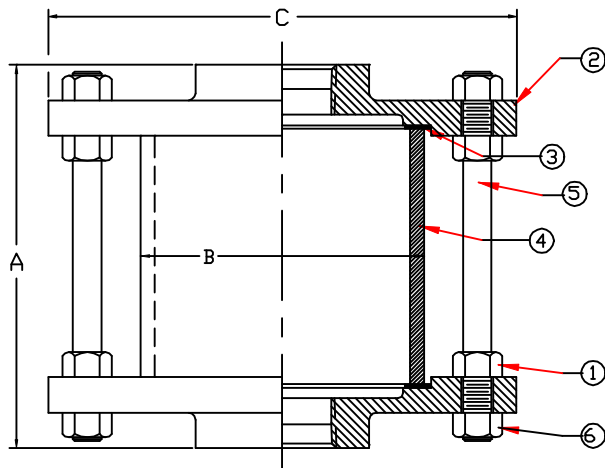
SPECIAL LENGTHS UP TO 48 INCHES AVAILABLE ("A" DIM)

PRESSURE RATINGS DECREASE WITH ADDITIONAL LENGTH

MODEL: 850-SL

SPECIAL ETCHED TUBES (VOLUME/LENGTH) PER APPLICATION

304/316 SS TRIM AVAILABLE



STYLE 850-S

DIMENSIONS

PSI	SIZE		A		B		C		WEIGHT	
	IN	DN	IN	mm	IN	mm	IN	mm	LBS	KGS
70	1/8	15	6.75	171	5.00	127	8.25	209	23	10.5
70	1/4	20	6.75	171	5.00	127	8.25	209	23	10.5
70	3/8	25	6.75	171	5.00	127	8.25	209	23	10.5
70	1/2	40	6.75	171	5.00	127	8.25	209	23	10.5
70	3/4	50	6.75	171	5.00	127	8.25	209	23	10.5
70	1	65	6.75	171	5.00	127	8.25	209	23	10.5
70	1-1/4	80	6.75	171	5.00	127	8.25	209	23	10.5
70	1-1/2	100	6.75	171	5.00	127	8.25	209	23	10.5
70	2	150	6.75	171	5.00	127	8.25	209	23	10.5