

MATERIAL: SEE B/M
 DRAWN: TFK
 SCALE: NONE

CHECKED: DEP
 DATE: 9-15-95



5005-DWA, 5005-DWA-300
 5005-DWA-600
 SAFETY SIGHT GLASS

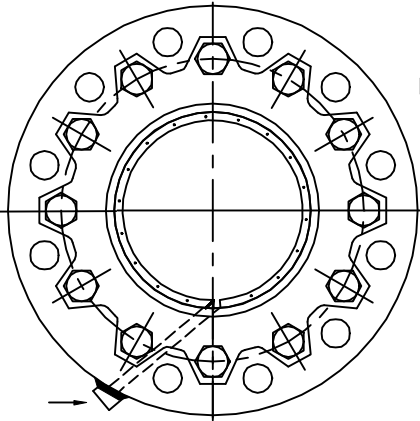
Section: T400
 Bulletin: T400.51
 Date: 12/01/00
 Supersedes: 11/10/98

FULL ASME RATED

FILE NO.: T400-51.DWG

# OF BOLTS	
SIZE	STUDS
2 IN	4
3 IN	4
4 IN	8
6 IN	8
8 IN	8

ANSI FLANGE CONNECTION
 PER B16.5 RF



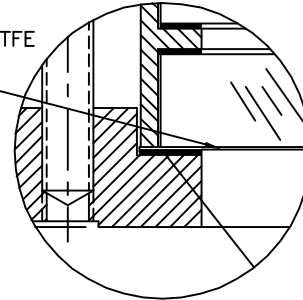
Full-View® Dual Window



Approved

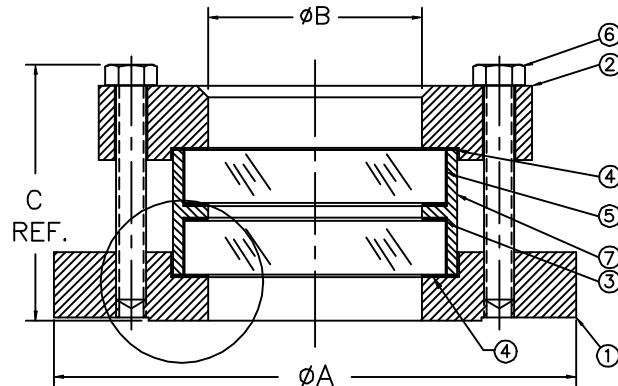
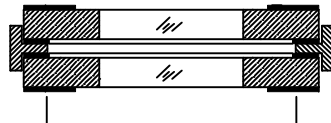
OPTIONAL SPRAY RING SHOWN
 1/4" FNPT CONNECTION

KEL-F, MICA, OR TFE
 SHIELD OPTION
 PROTECTS GLASS
 FROM MEDIUM



OPTIONS

DUAL WINDOW GLASS



PARTS LIST

PIECE NO.	NAME OF PART	QUAN.	MATERIAL	COMMENTS
1	BODY	1	SEE BELOW	
2	RETAINER	1	STEEL	
3	CUSHION	2	FIBER	
4	SEAL GASKET	2		
5	WINDOW	2	BOROSILICATE	
6	BOLT		STEEL	
7	CARTRIDGE	1	316 SS	

ANSI CLASS PRESSURE/TEMP RATINGS

TEMP F	150 CLASS		300 CLASS		600 CLASS	
	STEEL	316 SS	STEEL	316 SS	STEEL	316 SS
-20 TO 100	285	275	740	720	1480	1440
150	270	260	705	670	1415	1340
200	260	240	675	620	1350	1240
250	245	230	665	590	1335	1180
300	230	215	655	560	1315	1120
350	215	205	645	535	1290	1075
400	200	195	635	515	1270	1030
450	185	180	615	495	1235	990
500	170	170	600	480	1200	955

STANDARD DESIGN MATERIALS:

BODY: ASTM/ASME SA-105 (STEEL)
 ASTM/ASME SA-182 (316, 304 SS)
 RETAINER: ASTM/ASME SECTION II SA-515/SA-216 (STEEL)
 FASTENERS: ASTM A193-B7 (STEEL)
 304/316 SS TRIM AVAILABLE
 OPTIONAL ALLOYS FURNISHED UPON REQUEST
 TFE LINING STANDARD OPTION

SIZE	FLANGE CLASS	A		B		C		APPROX. WGT.	
		IN	mm	IN	mm	IN	mm	LBS	LBS
2 IN	150	6.00	152	2.00	50.8	2.88	73.2	7.5	3.4
2 IN	300	6.50	165	2.00	50.8	2.97	75.4	9.5	4.3
2 IN	600	6.50	165	2.00	50.8	3.34	84.8	11.0	5.0
3 IN	150	7.50	190	3.00	76.2	3.43	87.1	13.5	6.1
3 IN	300	8.25	210	3.00	76.2	4.06	103	21.0	9.5
3 IN	600	8.25	210	3.00	76.2	4.69	119	24.0	10.9
4 IN	150	9.00	229	4.00	102	3.44	87.4	22.0	10.0
4 IN	300	10.00	254	4.00	102	4.50	114	37.0	16.8
4 IN	600	10.00	254	4.00	102	5.25	133	46.0	20.9
6 IN	150	11.00	279	6.00	152	4.31	109	31.0	14.1
6 IN	300	12.50	317	6.00	152	5.53	140	55.0	24.9
6 IN	600	14.00	356	6.00	152	7.31	186	87.0	39.5
8 IN	150	13.50	343	8.00	203	5.16	131	49.0	22.2
8 IN	300	15.00	381	8.00	203	7.09	180	92.0	41.7
8 IN	600	16.50	419	8.00	203	8.90	226	139.0	63.0

THIS DRAWING AND ALL INFORMATION ON IT IS THE PROPERTY OF JACOBY-TARBOX, DIVISION OF THE CLARK-RELiance CORPORATION. IT IS CONFIDENTIAL AND IS GIVEN TO YOU FOR A LIMITED PURPOSE AND MUST BE RETURNED UPON REQUEST. NEITHER THIS DRAWING NOR ANY PART OF IT NOR ANY INFORMATION CONCERNING IT MAY BE COPIED, EXHIBITED OR FURNISHED TO OTHERS NOR ANY PHOTOGRAPHS BE TAKEN OF ANY ARTICLE FABRICATED OR ASSEMBLED FROM THIS DRAWING WITHOUT CONSENT OF THE CLARK-RELiance CORPORATION.