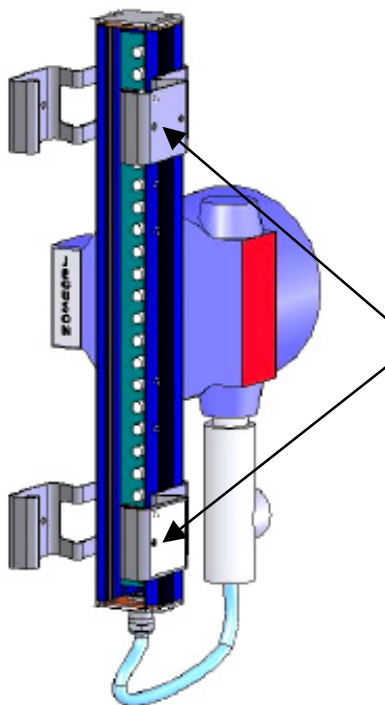


EPL-100 Field Retrofits



Number: 2005-09

Date: Oct.6, 2005

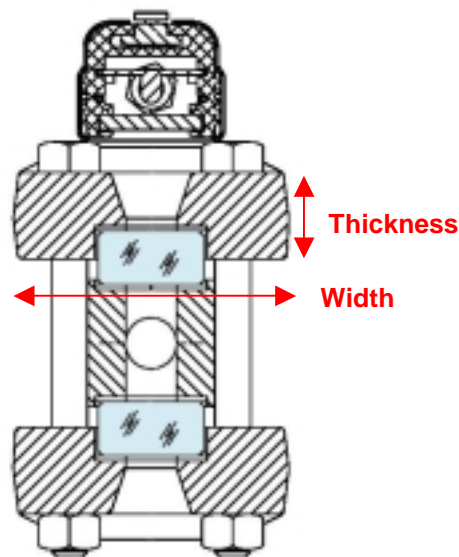


Specify the Right Bracket*

* We have seen numerous examples in the field of different brand gages and valves on the same unit. Make sure to measure the gage covers - do not assume the brand of the valves are the same as the brand of the gage.

Cover Dimensions	Cover Thickness	Cover Width
Jerguson Shrouded	1.4"	3.4"
Jerguson Non-Shrouded	1.1"	3.4"
Jerguson Series 40	1.25"	4"
Penberthy M Series	1.4"	2.85"
Daniel L Series	.85"	3.12"

[Refer to J100.32 for complete part number guide](#)



ANDERSON® JACOBY-TARBOX® JERGUSON® MAGNE-SONICS

