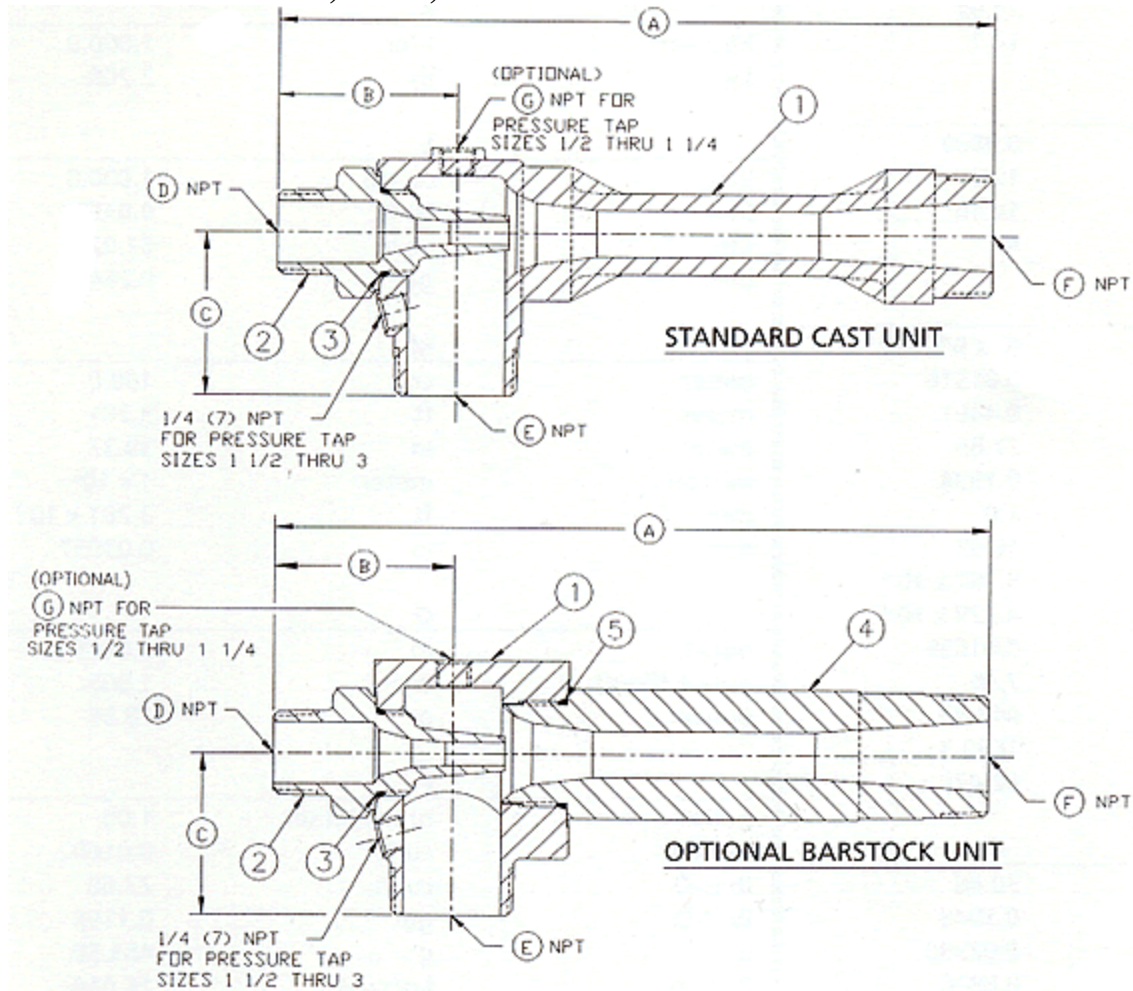


Dimensions for Models ML, MLE, SG & HG



Assembly Dimensions:

SIZE	A		B		C		D		E		F		G	
	inches	mm	inches	mm	inches	mm	inches	mm	inches	mm	inches	mm	inches	mm
1/2	4.500	(114)	1.625	(41)	1.250	(32)	3/8	(10)	1/2	(15)	1/2	(15)	1/8	(3)
3/4	5.875	(149)	2.000	(51)	1.500	(38)	1/2	(15)	3/4	(20)	3/4	(20)	1/4	(7)
1	7.125	(181)	2.250	(57)	1.750	(44)	3/4	(20)	1	(25)	1	(25)	1/4	(7)
1-1/4	9.000	(229)	2.500	(64)	2.250	(57)	1	(25)	1-1/4	(32)	1-1/4	(32)	1/4	(7)
1-1/2	11.000	(279)	2.750	(70)	2.500	(64)	1	(25)	1-1/2	(40)	1-1/2	(40)	-	-
2	14.375	(365)	3.125	(79)	3.000	(76)	1-1/4	(32)	2	(50)	2	(50)	-	-
2-1/2	18.125	(460)	3.500	(89)	4.125	(105)	1-1/2	(40)	2-1/2	(65)	2-1/2	(65)	-	-
3	23/875	(606)	4.000	(102)	5.000	(127)	2	(50)	3	(80)	3	(80)	-	-

Parts List:

Item Number	Description
1	Body
2	Nozzle
3	O-Ring, Nozzle
4	Discharge
5	O-Ring, Discharge